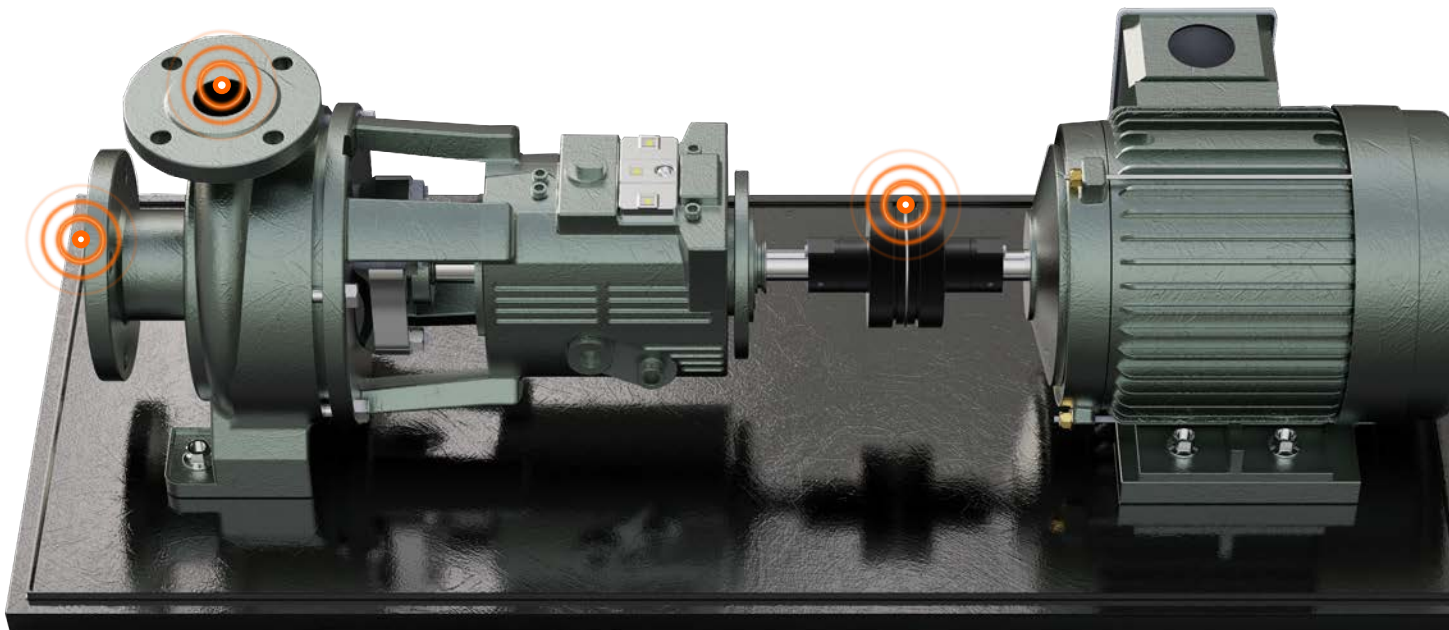


Centrifugal Pumps



The Truly Predictive Maintenance Solution

DETECTS FAULTS
WEEKS BEFORE FAILURE

+

MORE THAN
90% ACCURATE

+

LESS THAN
ONE YEAR ROI

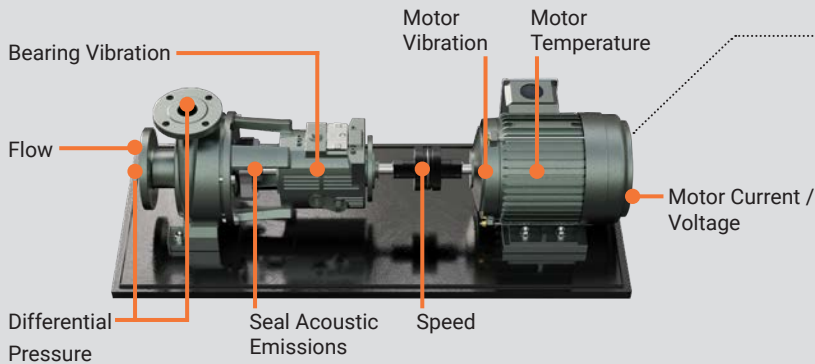
Centrifugal Pumps

TruPrognostics for centrifugal pumps is an industry-leading tool specifically built for predicting failure modes common for pumps. Novity's revolutionary TruPrognostics engine uses a carefully constructed combination of physics-based models and machine learning to detect faults at the earliest possible

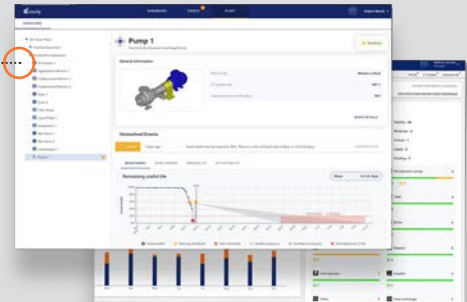
point in their progression and to provide an accurate estimate of the machine's remaining useful life. Because TruPrognostics is based on physics-based models, the solution produces great results no matter what historical data you have.

The Right Sensor for the Right Job

The optimal combination of control data and IoT sensors



Remaining Useful Life Dashboards



Key Features

- 24/7 Always-On Monitoring
- Integrate with your CMMS and historian
- No historical data required

Value

- Over 90% Accuracy of Predictions
- Detect Faults Weeks Before Failure
- Fast ROI Payback Period

Reports & Notifications

- Anomaly Detections
- Fault Diagnoses
- RUL Estimates

novity TruPrognostics™

Our TruPrognostics engine is a truly predictive system that combines machine learning, hybrid model reasoning, and fundamental physics principles to accurately estimate the remaining useful life of critical manufacturing and production equipment even if you lack high quality historical data.

